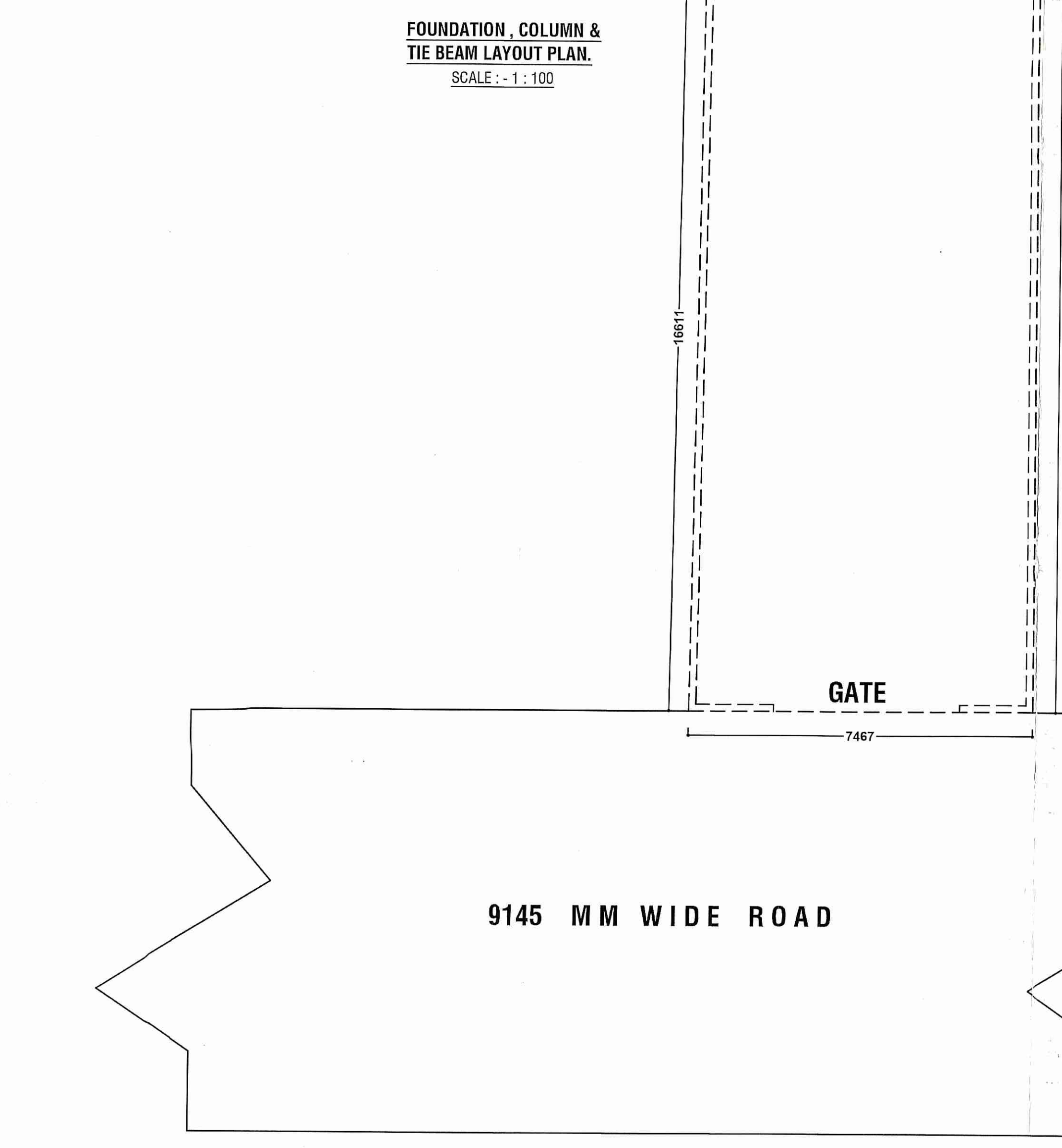
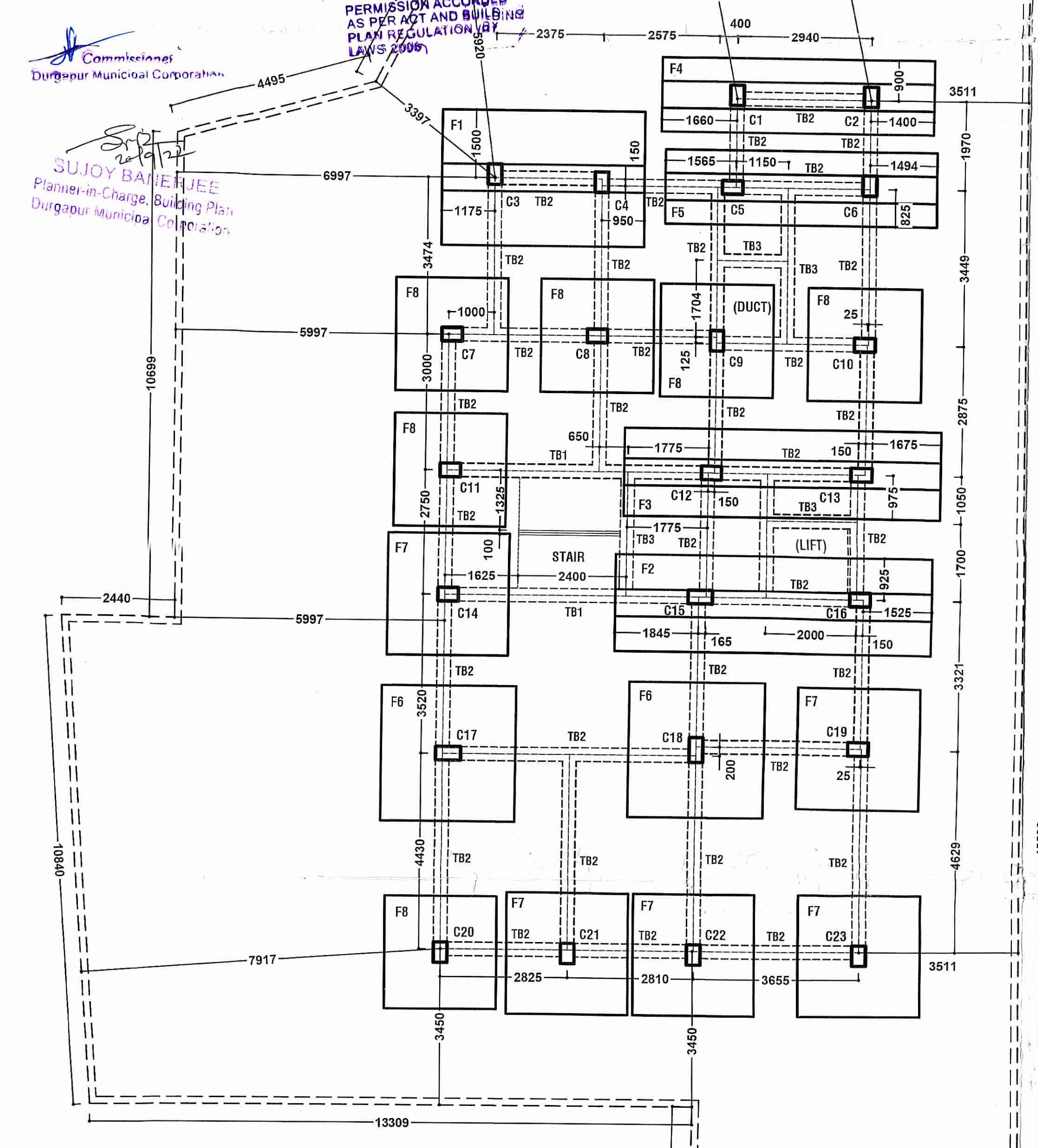




BUILDING PLAN APPROVED ON THE BASIS OF THE INDEMNITY BOND, LAND MUTATION & CONVEYANCE IS THE RESPONSIBILITY OF THE OWNER

PLAN NO. C-1109/21  
R.S. (S) (P) (M) (H) (T)  
Date: 26-7-2020

APPROVED



9145 MM WIDE ROAD

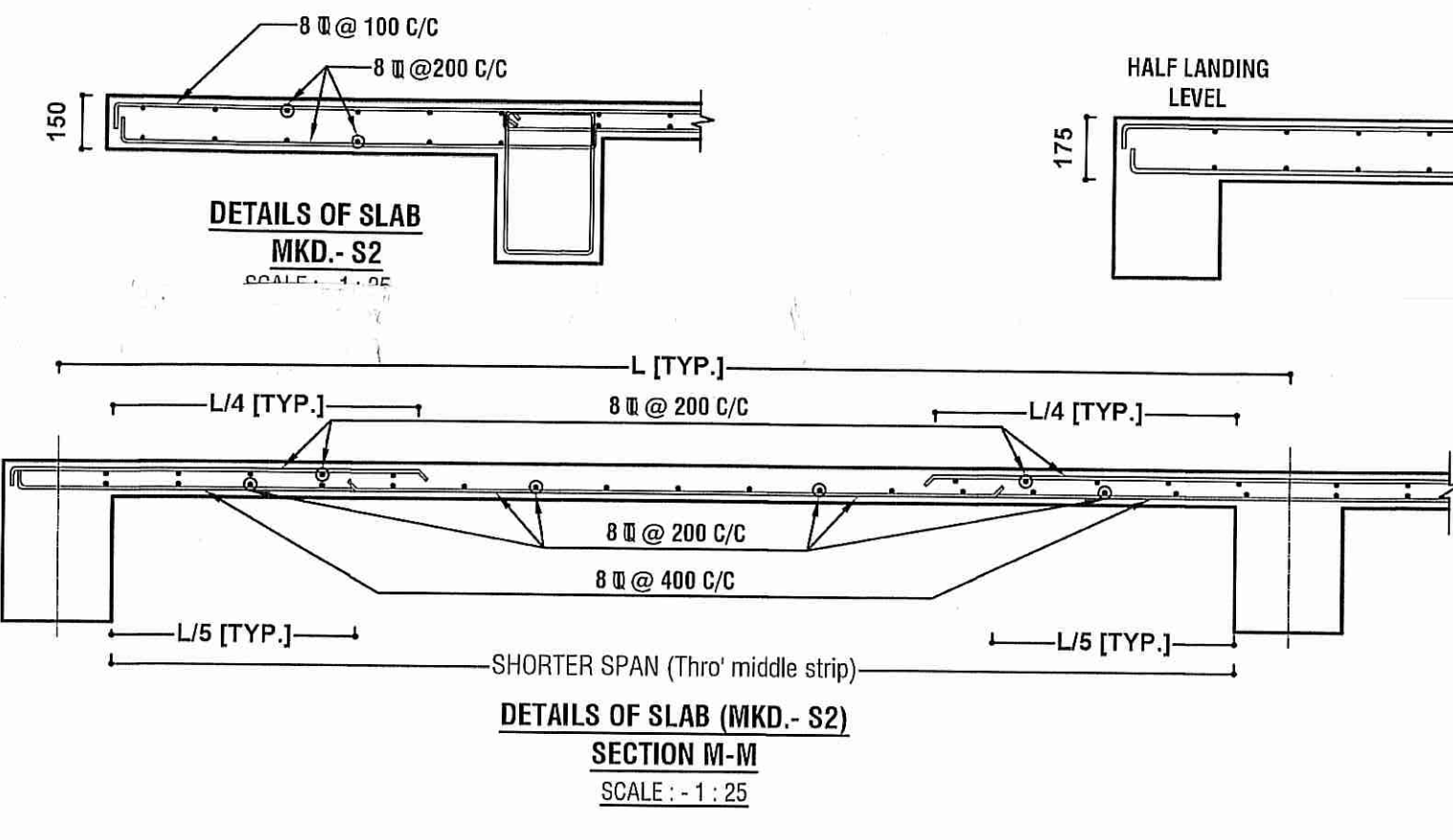
GATE

SCHEDULE OF R.C.C. BEAMS

Table with columns: BEAM MKD., BEAM SECTION, SIZE & REINFORCEMENT AT SUPPORT (TOP/BOTTOM), STIRRUP AT SUPPORT, SIZE & REINFORCEMENT AT SPAN (TOP/BOTTOM), STIRRUP AT SPAN. Lists beams B1 through B7 and TB1 through TB4.

SCHEDULE OF R.C.C. SLABS

Table with columns: SLAB MKD., THICKNESS (mm), REINFORCEMENT PARALLEL TO SHORTER DIRECTION (AT MIDDLE SPAN/AT END SPAN), REINFORCEMENT PARALLEL TO LONGER DIRECTION (AT MIDDLE SPAN/AT END SPAN). Lists slabs S1, S2, S3.

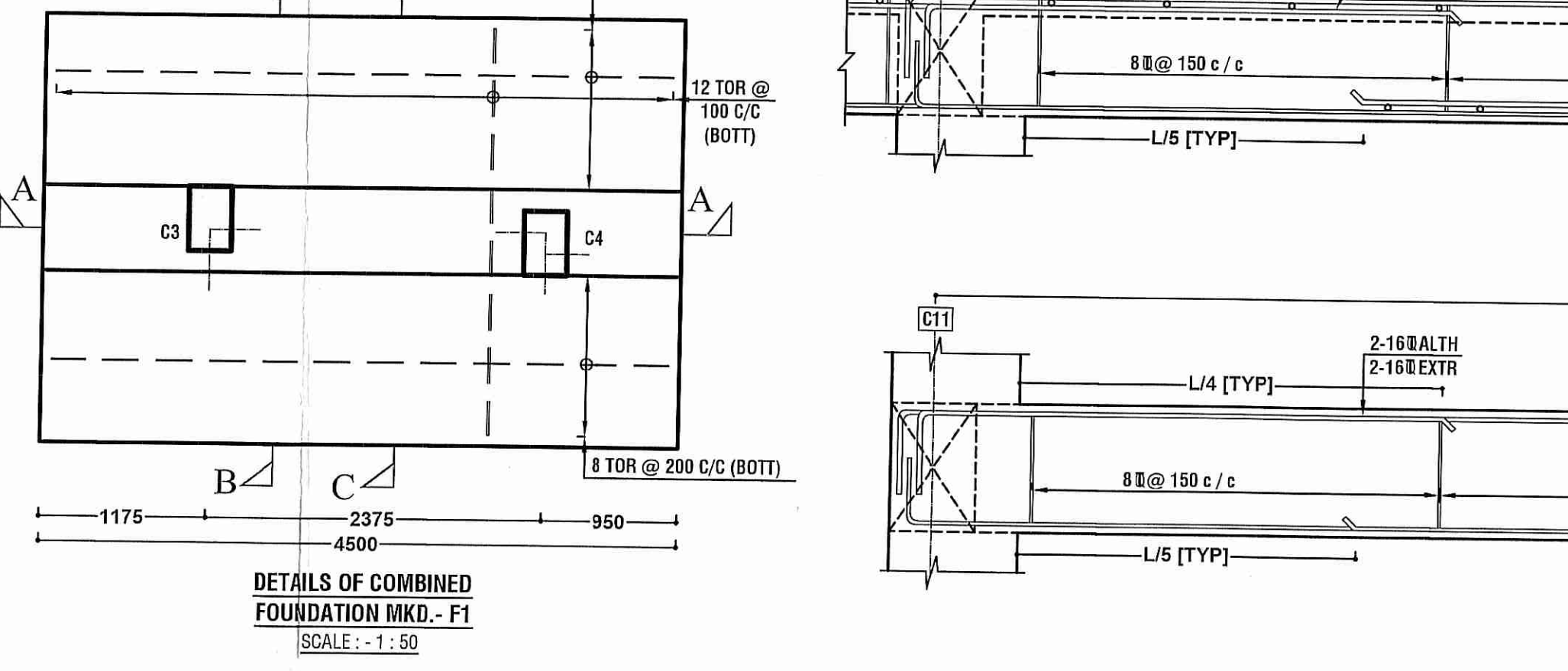
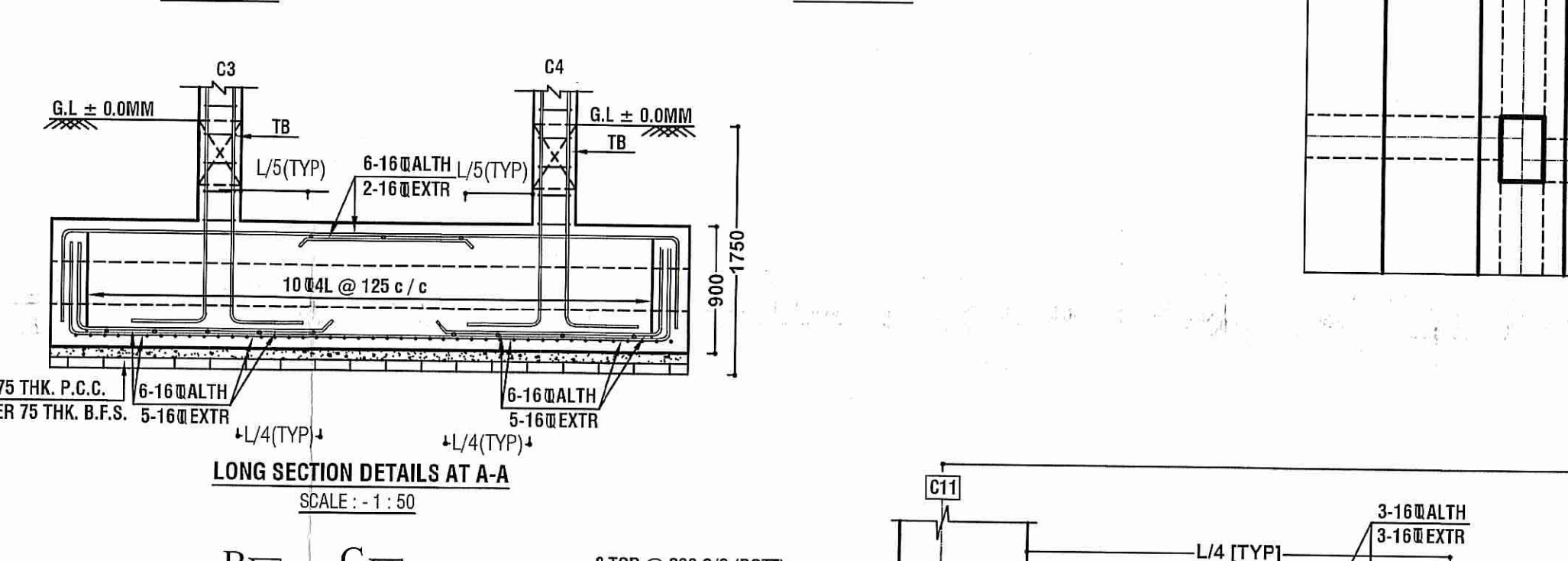
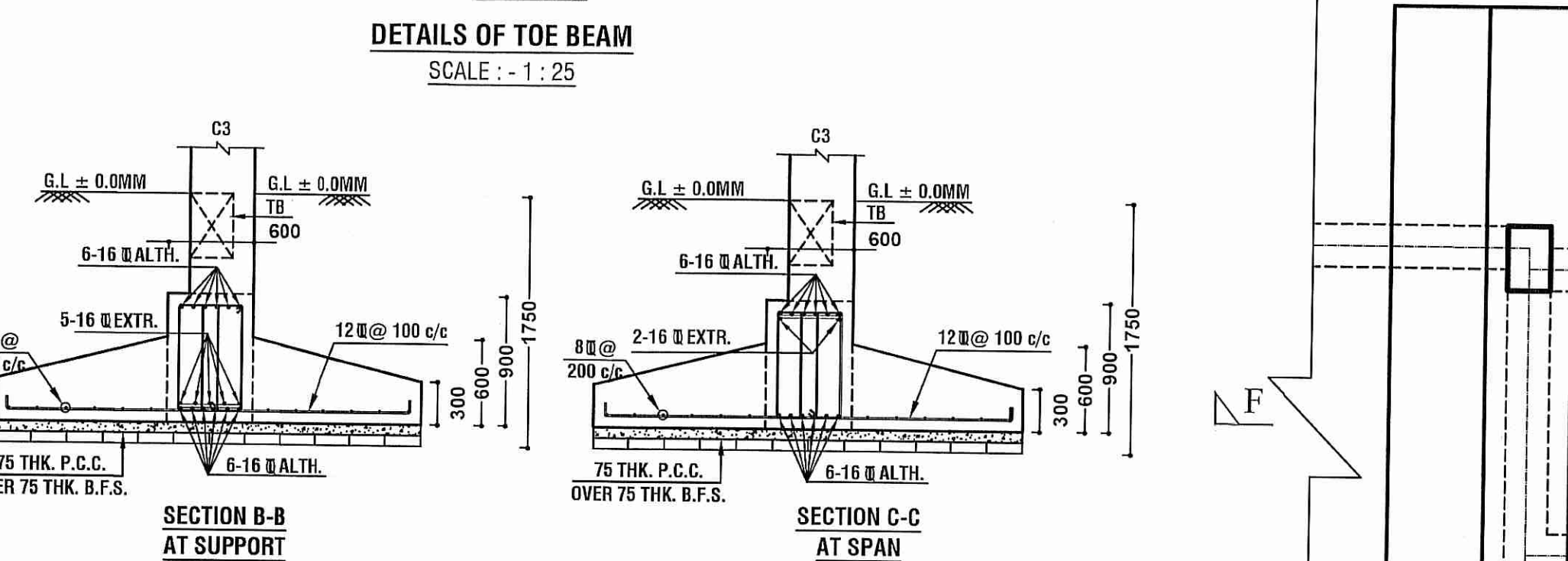
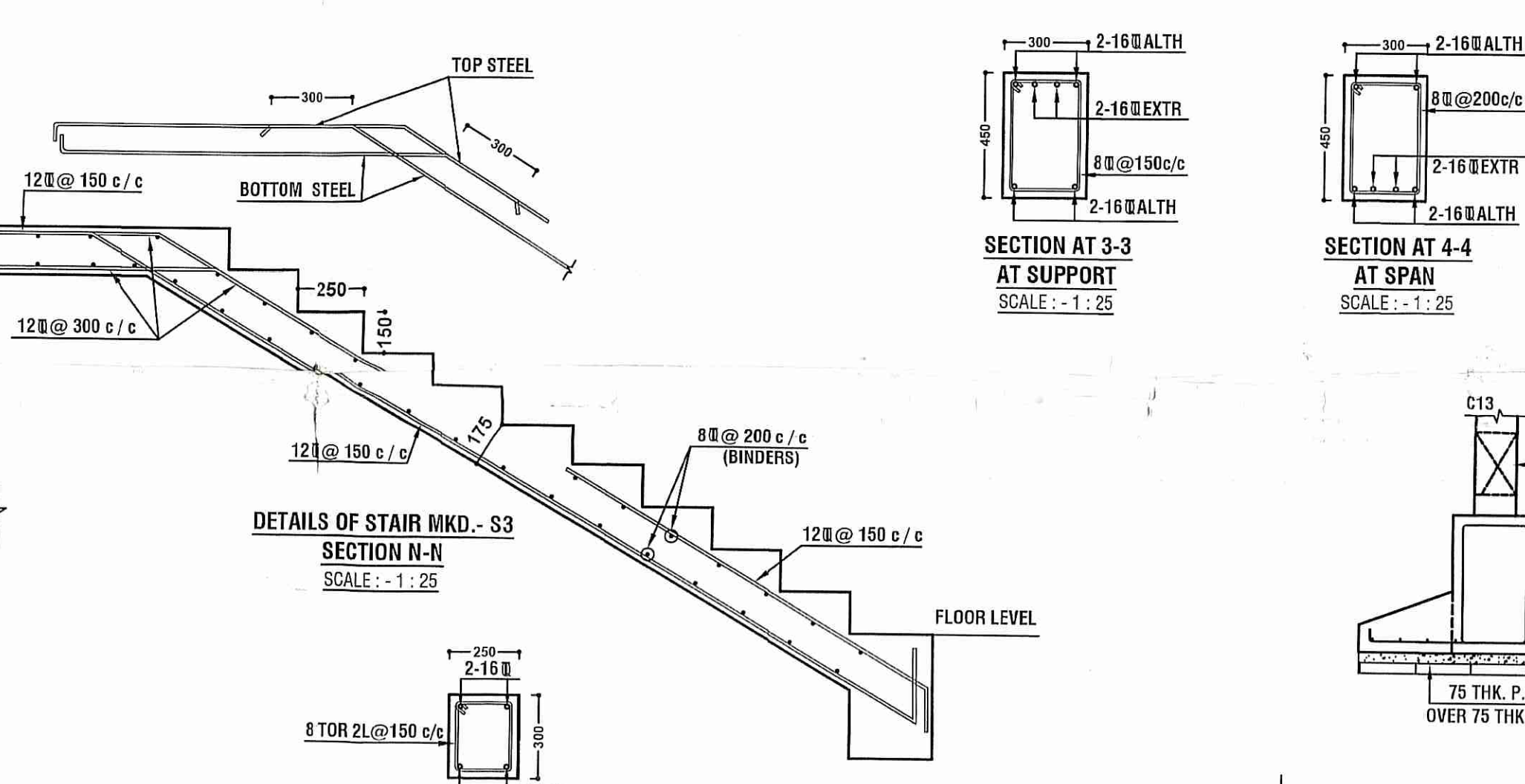


SCHEDULE OF R.C.C. COLUMNS

Table with columns: COLUMN MKD., SIZE & REINFORCEMENT FROM BASE TO 2ND FL. LVL., SIZE & REINFORCEMENT FROM 2ND FL. LVL. TO 4TH FL. LVL., SIZE & REINFORCEMENT FROM 4TH FL. LVL. TO ABOVE FL. LVL., STIRRUP. Lists columns C15, C17, C18; C16, C19, C22, C23; C1, C2, C3, C4, C5, C6, C7, C8, C9, C10, C11, C12, C13, C14, C20, C21.

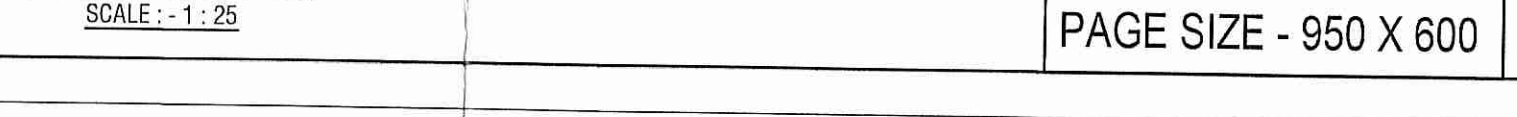
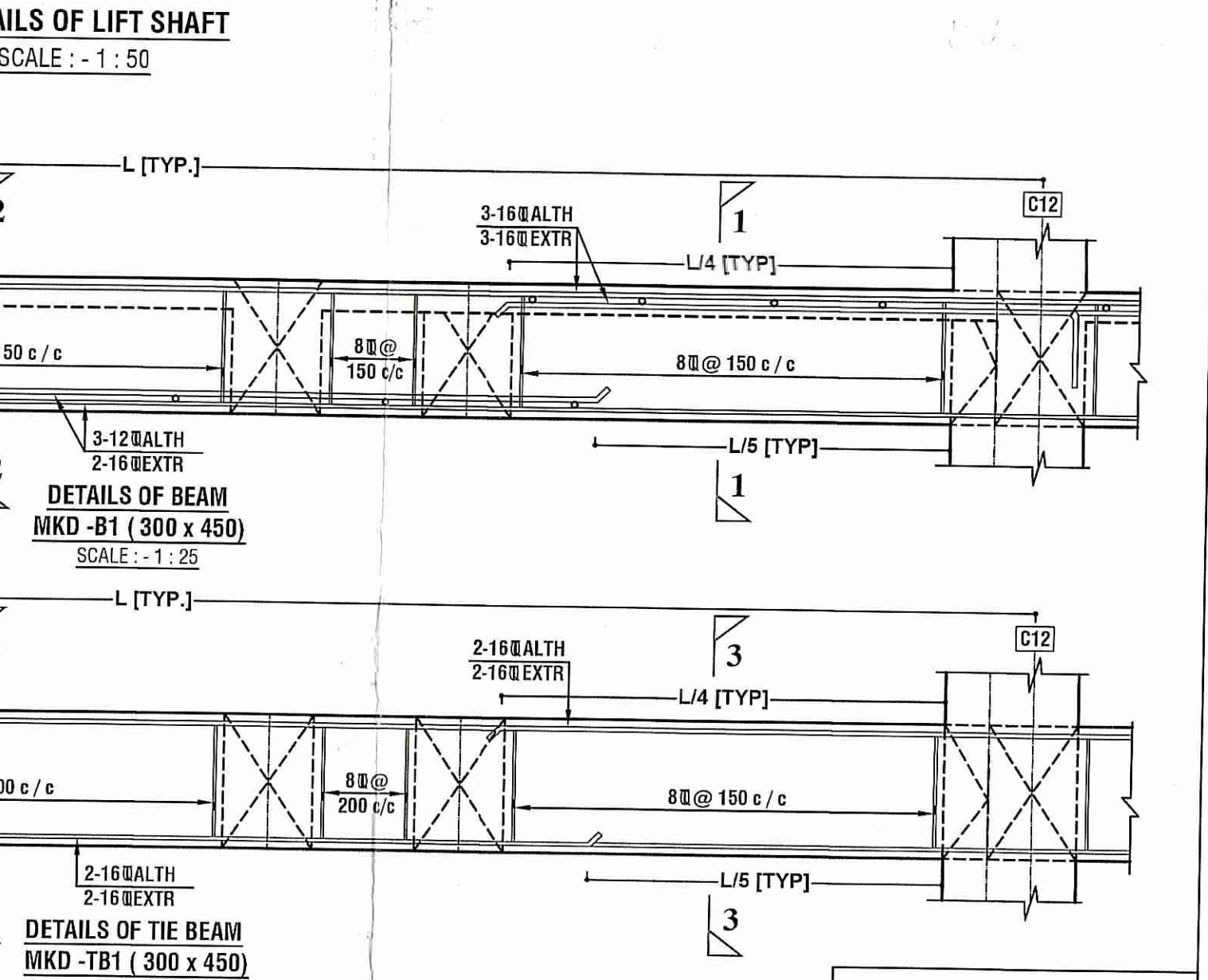
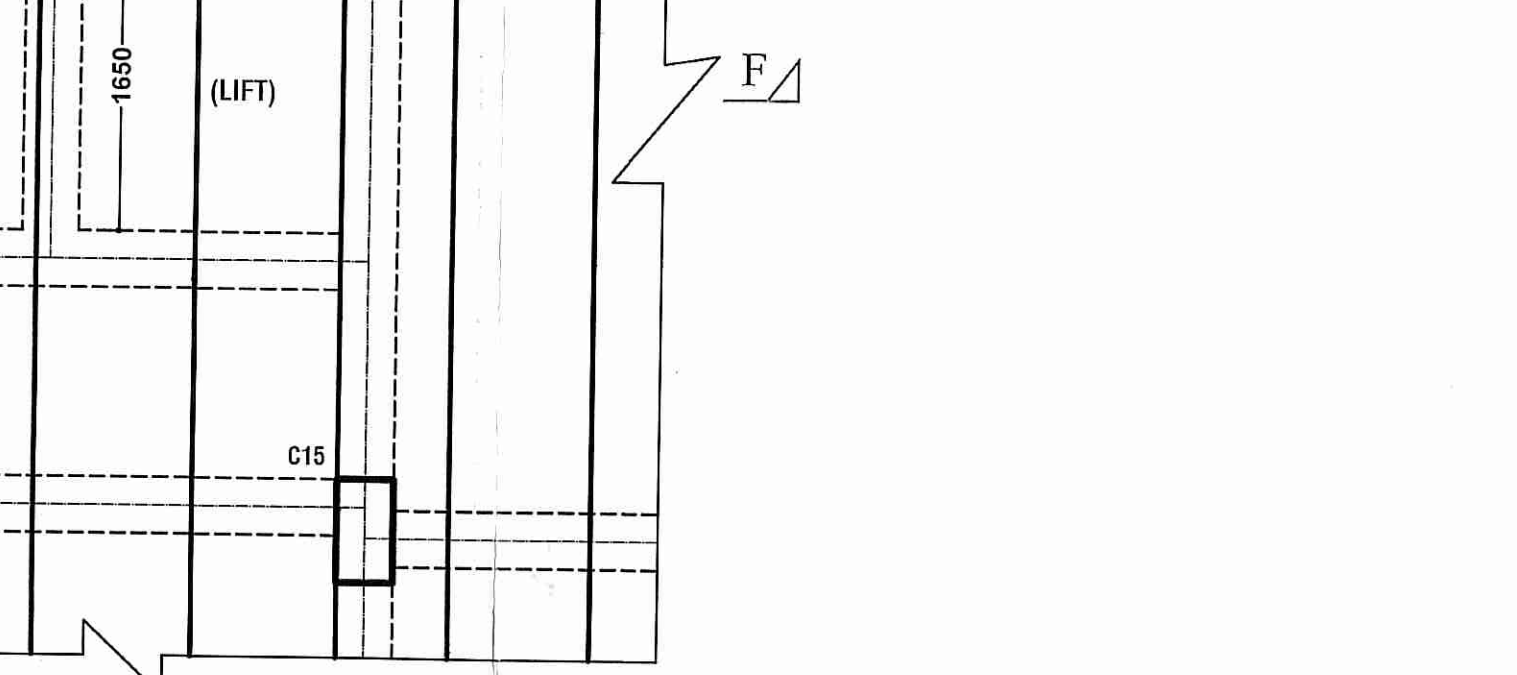
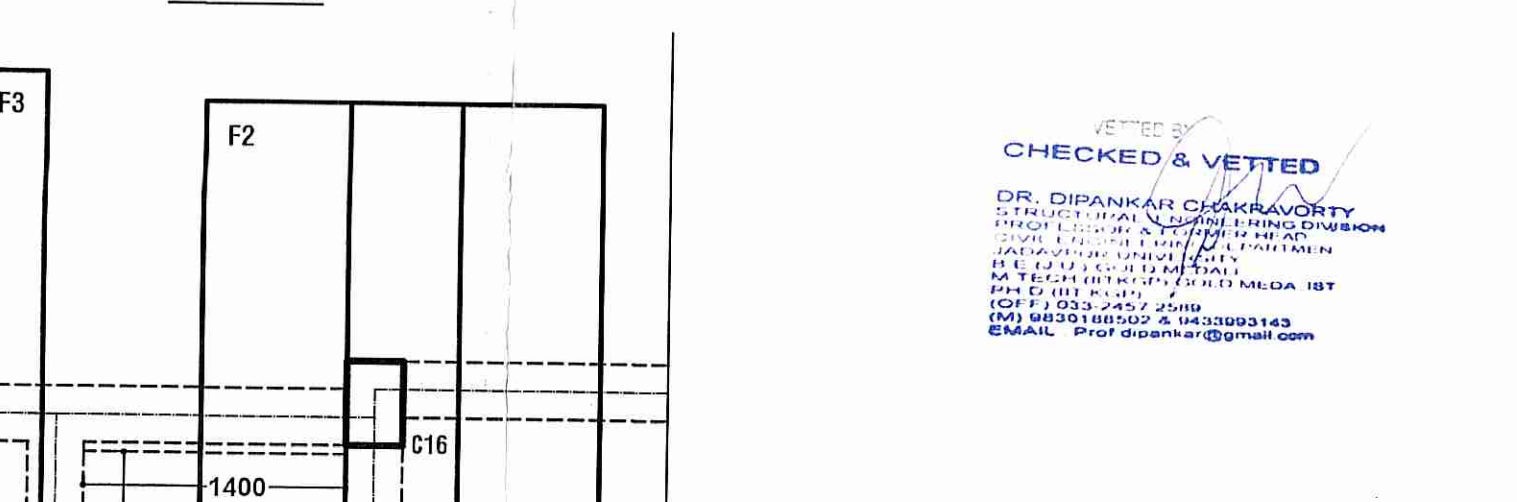
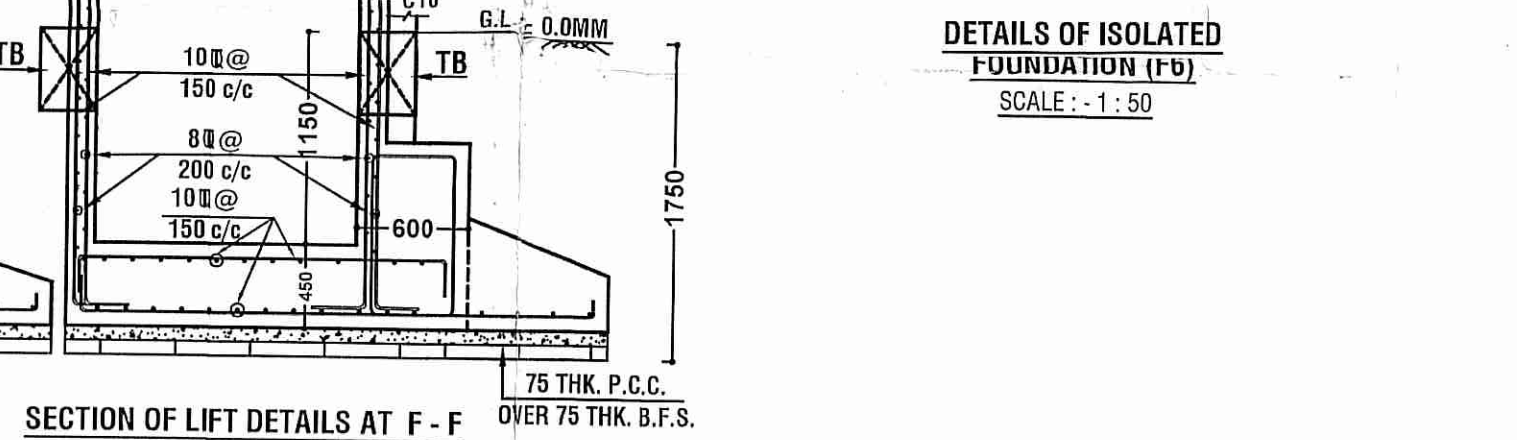
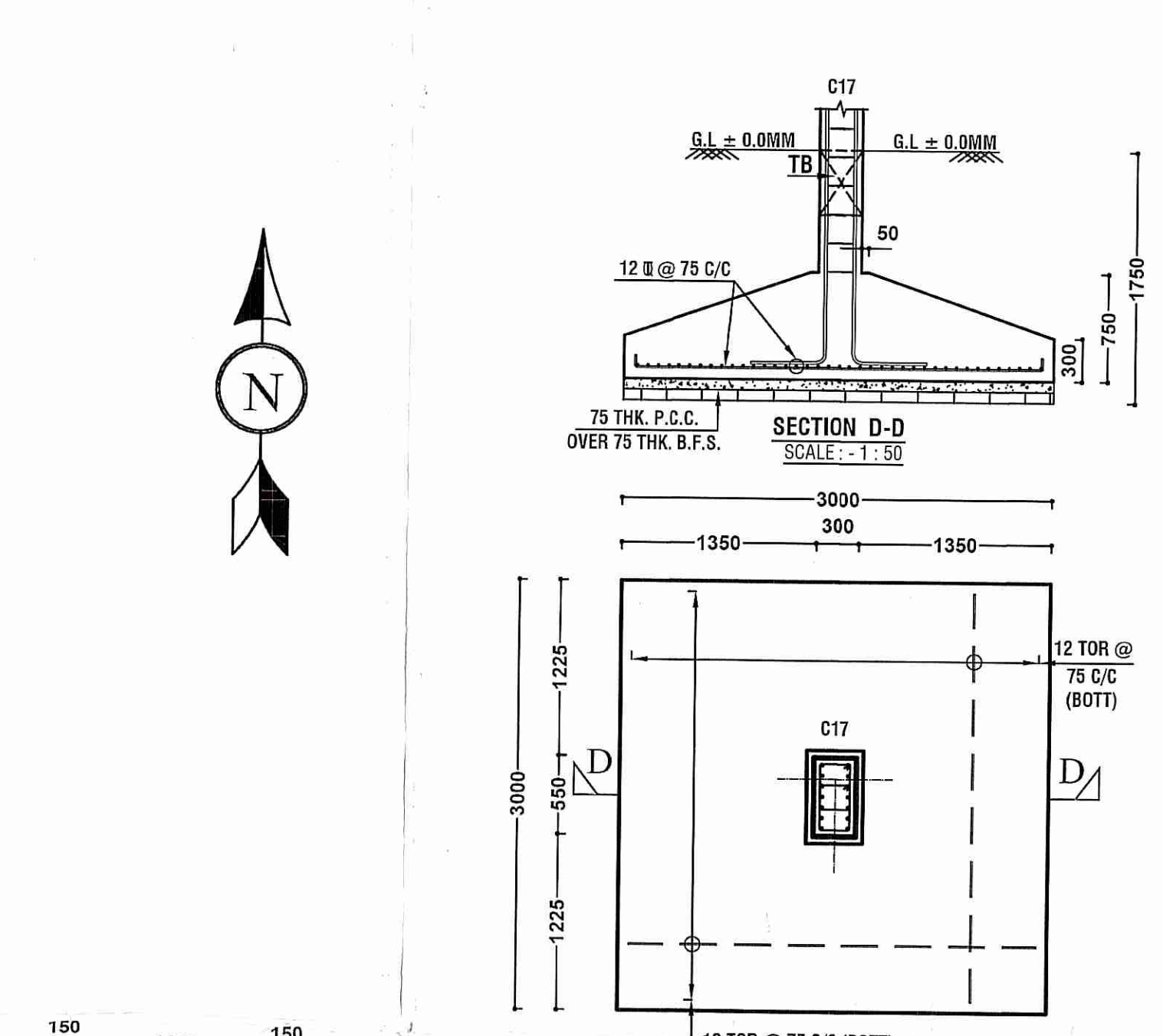
SCHEDULE OF ISOLATED FOUNDATIONS

Table with columns: FDN. MKD., UNDER COLUMN, SIZE OF FOUNDATION, THICKNESS (MM) AT HEEL/AT TOE, REINFORCEMENT BOTHWAYS AT BOTTOM. Lists foundations F6, F7, F8.



SCHEDULE OF COMBINED FOUNDATIONS

Table with columns: FDN. MKD., UNDER COLUMN, SIZE OF FDN., SLAB DIMENSIONS (a, b, M, D), BEAM SIZE (mm x mm), LONG REINFORCEMENT AT SUPPORT (TOP/BOTTOM), LONG REINFORCEMENT AT SPAN (TOP/BOTTOM), STIRRUP, TRANSVERSE REINFORCEMENT (BOTTOM), LONG REINFORCEMENT (BOTTOM). Lists foundations F1 through F5.



- SPECIFICATIONS
1. DEPTH OF FOUNDATION IS AT 1.75 M. BELOW EXISTING G.L.
2. SAFE BEARING CAPACITY OF SOIL IS AS PER SOIL TEST REPORT
3. FOUNDATIONS MUST BE PLACED WITH RESPECT TO THE CENTRE OF THE COLUMNS.
4. GRADE OF CONCRETE IS M-20 (1:1.5:3, NOMINAL MIX) AND GRADE OF STEEL IS Fe-500
5. CLEAR COVER TO MAIN REINFORCEMENT IS AS PER BELOW:
a) FOUNDATION - 75 MM
b) COLUMN - 40 MM
c) BEAM - 25 MM
d) SLAB - 20 MM
6. ALL SLABS MUST BE MONOLITHIC WITH SUPPORTING BEAM.
7. ALL OTHER SPECIFICATIONS AS PER NATIONAL BUILDING CODE OF INDIA

THE STRUCTURAL DESIGN & DRAWING OF BOTH FOUNDATION AND SUPERSTRUCTURE OF THE BUILDING HAS BEEN MADE BY ME CONSIDERING ALL POSSIBLE LOADS INCLUDING THE SEISMIC LOAD AS PER N.B.C. OF INDIA & CERTIFIED THAT IT IS SAFE & STABLE IN ALL RESPECT.

TUSHAR BARAN PAHARI
M.E. (STRUCTURE)
P-22, Purbanagar Colony,
Bahal, Kolkata-700 034

ACHINTYA HALDER
M.E. (STRUCTURE)
P-22, Purbanagar Colony,
Bahal, Kolkata-700 034

SIGNATURE OF L.B. ARCHITECT

TUSHAR BARAN PAHARI
M.E. (STRUCTURE)
P-22, Purbanagar Colony,
Bahal, Kolkata-700 034

Paritosh Deo
Bhobatos Das
Purnima Ghosh
Anima Das
Paritosh Das
Animesha Das

SIGNATURE OF OWNERS

STRUCTURAL DRAWING OF A PROPOSED SIX STORED (G+4) AND ONE EXTRA FLOOR RESIDENTIAL APARTMENT BUILDING FOR 1) SRI PARITOSH DEY, 2) SMT. PRATIMA GHOSH, 3) SRI BHABOTOSH DEY, 4) SMT. PRATIMA DAS, 5) SMT. PURNIMA BHATTACHARYA, 6) SMT. ANIMA JANA, ALL FATHER LATE NARENDRA NATH DEY, 7) SMT DIPASHREE DEY, W/O LATE ASHUTOSH DEY, 8) SRI DIBAKAR DEY, S/O LATE ASHUTOSH DEY OVER R.S. PLOT NO.- 877, L.R. PLOT NO.- 2168, J.L. NO.- 56, OF MOUZA-KURURIA, UNDER D.M.C., P.S.-DURGAPUR, DIST-PASCHIM BARDHAMAN, CR/CL/ WARD NO.-11 HOLDING NO.-85, I.D. NO.-3309401080193 ADDRESS-KURURIA DANGA,DGP-03,